

220-240V
50/60 Hz

CE



EAC



ZD

IP
66IK
10

Combining classic design with modern technology. The ACONA luminaire is the answer to the growing market needs in shaping urban-park areas, perfectly blending with the urban identity. The team of engineers and technologists have demonstrated extraordinary craftsmanship, honing the luminaire's efficiency to 191 lm/W and luminous flux to 25,050 lm.

- **High efficacy to 191 lm/W**
- Modern design
- Reliability



Other pictures



Mechanical data

Mounting

suspended

Body colour

graphite

Detail

white

Operating temperature range

-40 ... +40, -40 ... +45, -40 ... +50

RAL

7016

Body

high pressure die-cast aluminum, plastic

Lateral Surface Wind Exposed

0,17 m²

Electrical data

Power supply efficiency

≤90%

Power

220-240V 50/60Hz

Includes light source

yes

Luminaire power [W]

11 - 152

Output current [mA]

200, 700

Type of equipment

ED

Maximum number of luminaires in the circuit with a 10A fuse (B)

5 - 18

Maximum number of luminaires in the circuit with a 16A fuse (B)

8 - 28

Maximum number of luminaires in the circuit with a 25A fuse (B)

13 - 43

Optical data

Way of lighting

direct

Type of optic

O1, O2, O3, O4, O5, O6

Diffuser

polycarbonate

Colour temperature [K]

2200, 2700, 3000, 4000

CRI/Ra

>70

MacAdam's steps

5

ULOR / DLOR

2/98

Lumen luminaire [lm]

1450 - 25050

Efficacy [lm/W]

119 - 191

Photobiological risk group

RG1

Number of LEDs

16, 36, 48, 64

General data

Available on request

DALI, NTC, CLO

Other remarks

the pole is not part of the luminaire

Lifetime L90B10

100 000 h

Warranty

5 years

Compliant with British Standards: BS 5489-1:2020; BS EN 13201:2015; BS EN 60598-2-3:2003+A1:2011 and BS EN IEC 60598-1:2021+A11:2022.

Luminous flux tolerance +/- 10%.

Power tolerance +/- 5%.

Please note that the standard luminaire is not intended for use in an environment with a high degree of salinity. If it is required to adapt the luminaire to work in such an environment, please contact our Sales Department to confirm the possibility of using an additional protective coating.

Up-to-date product info and General Warranty Terms available on our website www.luglightfactory.com

Detailed information on luminous fluxes and powers for individual indexes are indicated on the product data sheet.

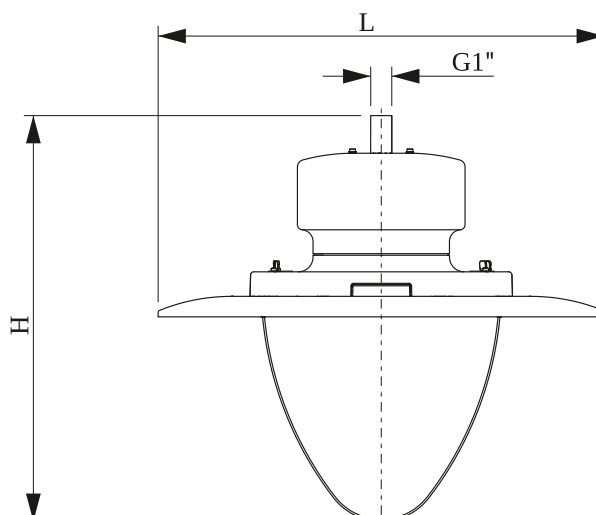
The parameters in the data sheet are given for Ta=25°C.

The operating temperature ranges apply only to luminaires used in the outdoor environment.

Colour temperature tolerance +/- 5%.

Dimensions

Dimensions [mm] LxH	Pallet quantity	Quantity in package	Net weight [kg]
700x635	4	1	11.6



Accessories



150173.01369 Threaded connector 1-inch female



150173.01370 Threaded connector 3/4 inch male



150173.01371 Threaded connector 3/4 inch female

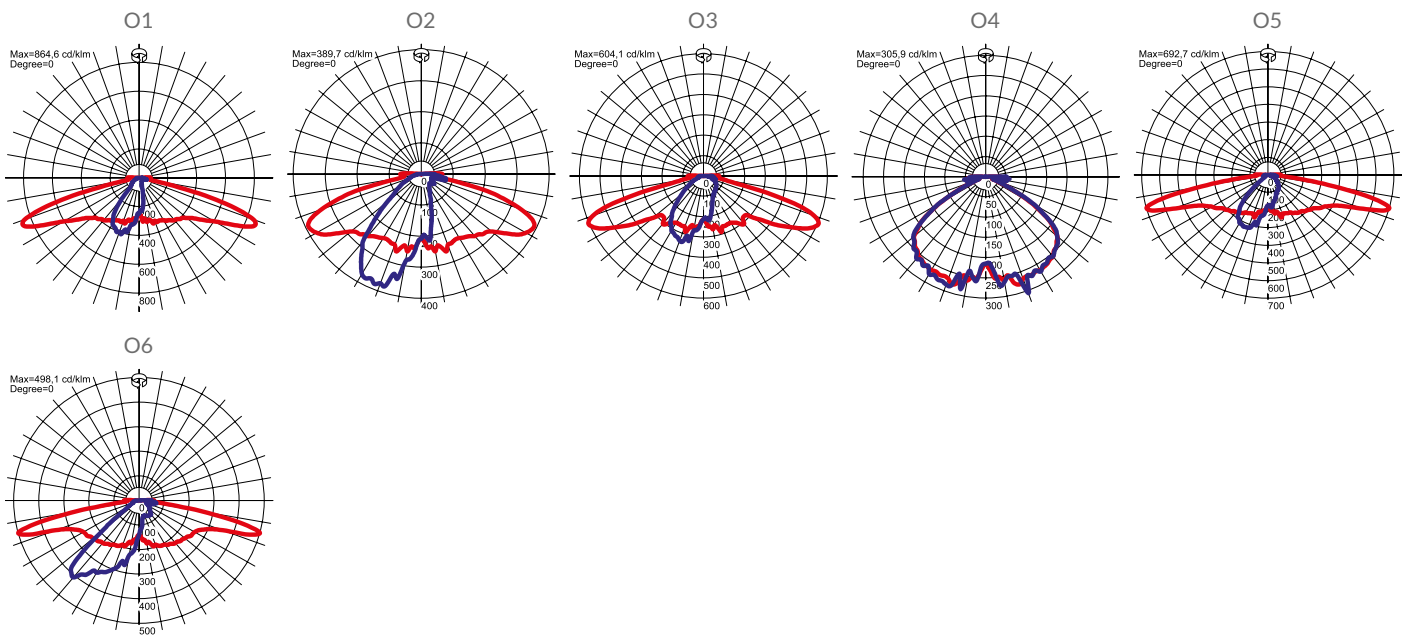


150173.01372 Threaded connector ø42mm

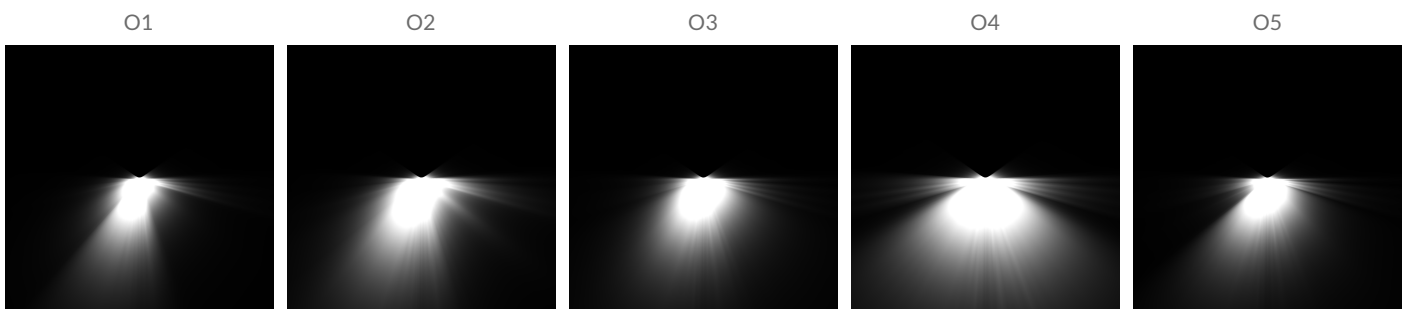


150170.01135 Threaded fitting gauge ø42mm

Light beam curves



Way of lighting



EN

ACONA



O6

